
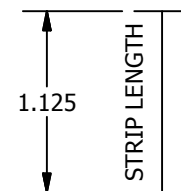
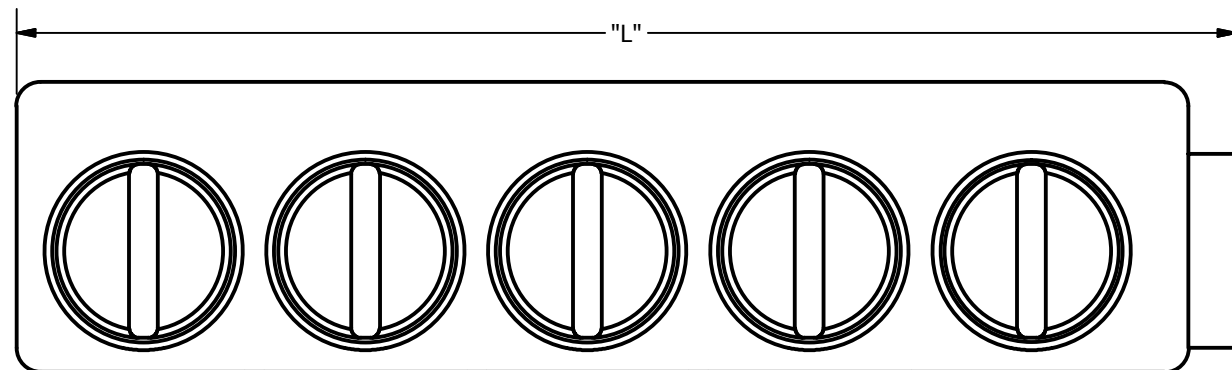


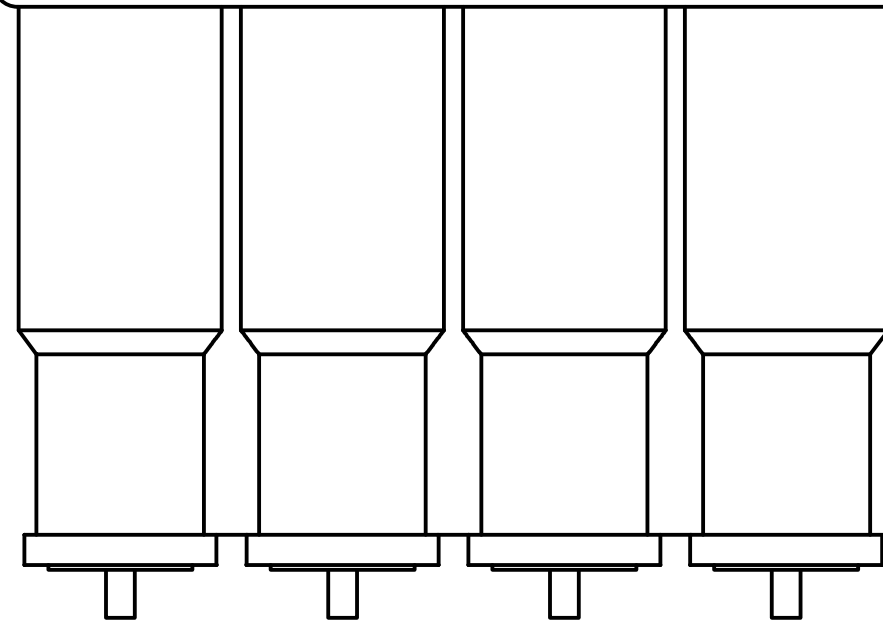
SCREW: SEE CHART	MATERIAL: NONE	REV: N	 800-776-9775 www.ilSCO.com
CAT. NO.: SEE CHART	PLATING: NONE	DRAWN BY: CLH SCALE: 3:1	
INFORMATION SHEET: FORM 126	MARKING: AS SHOWN BELOW	DATE: 9/17/2008 SIZE: B	
			DWG NO: <b>M7472</b>
			SHEET: 1 OF 1



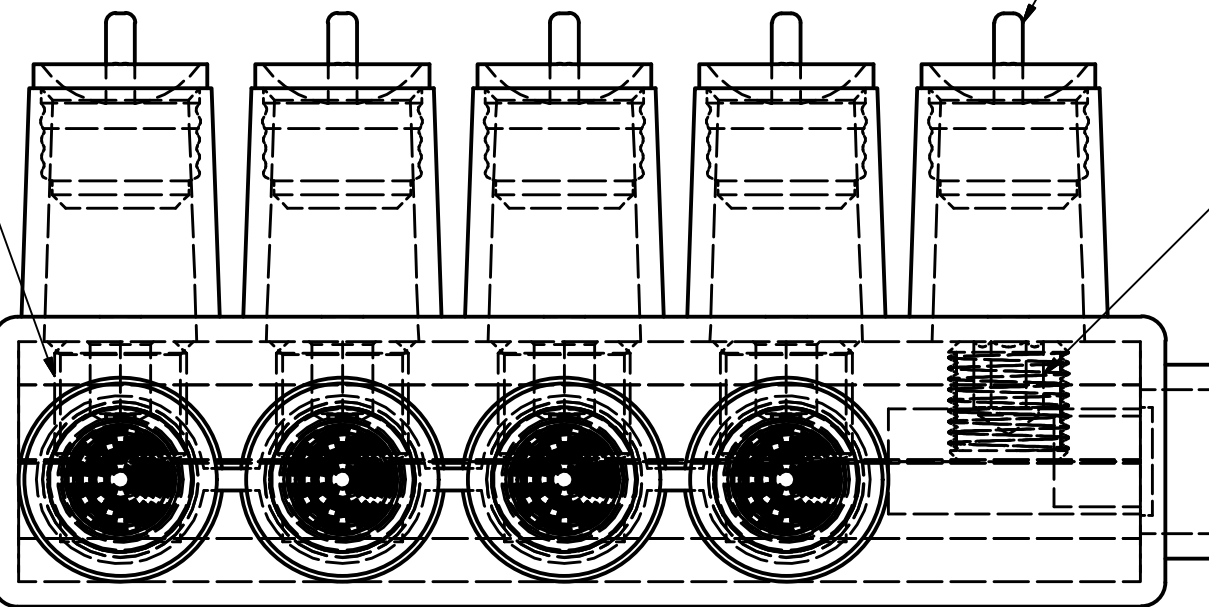
UTILCO  
PTF 350-IN  
350MCM-#10  
AL-CU

**MARKING**

CAT NO	BODY	"L"	E6141	R7058
PTF3-350 INJ	M7472A13W	(5.198)	3	4
PTF4-350 INJ	M7472A14W	(6.354)	4	5
PTF6-350 INJ	M7472A16W	(8.667)	6	7
PTF8-350 INJ	M7472A18W	(10.979)	8	9



R7058C00A  
250/350 CAP  
SEE CHART FOR QTY



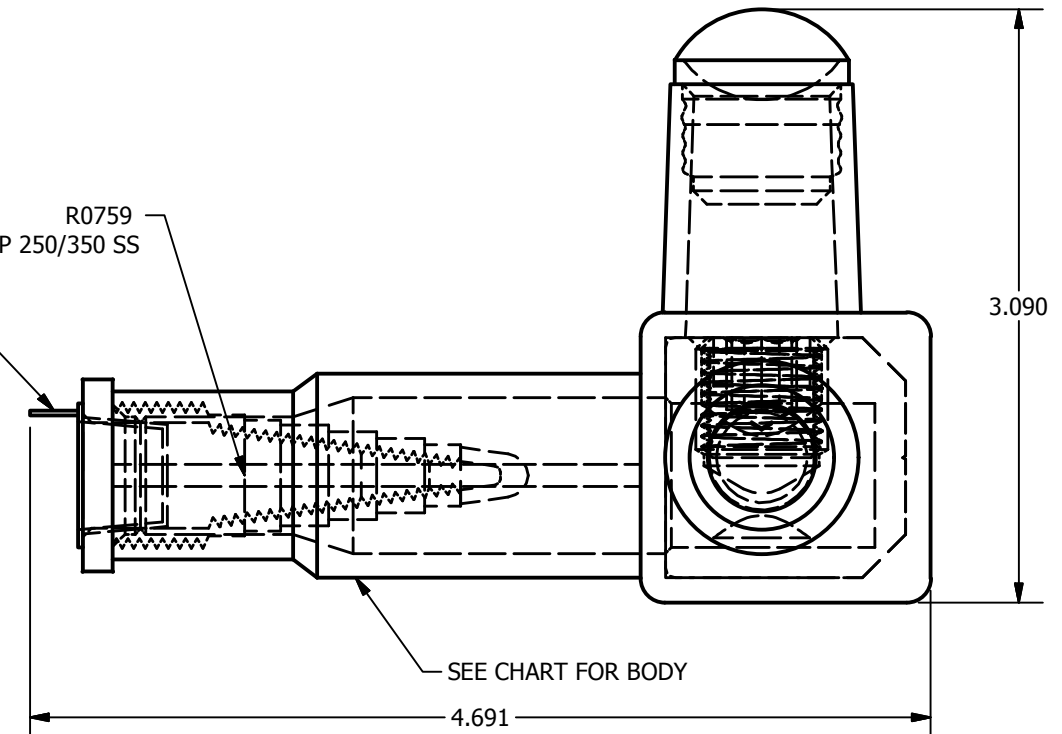
E6141 AL SCREW  
11/16-16 UNF-2A  
SEE CHART FOR QTY

E0608 AL SCREW  
5/8-18 UNF-2A  
(1) PLACES

R0222C00A CAP  
QTY SAME AS E1411

R0253  
END PLUG

R0759  
WP 250/350 SS



SEE CHART FOR BODY